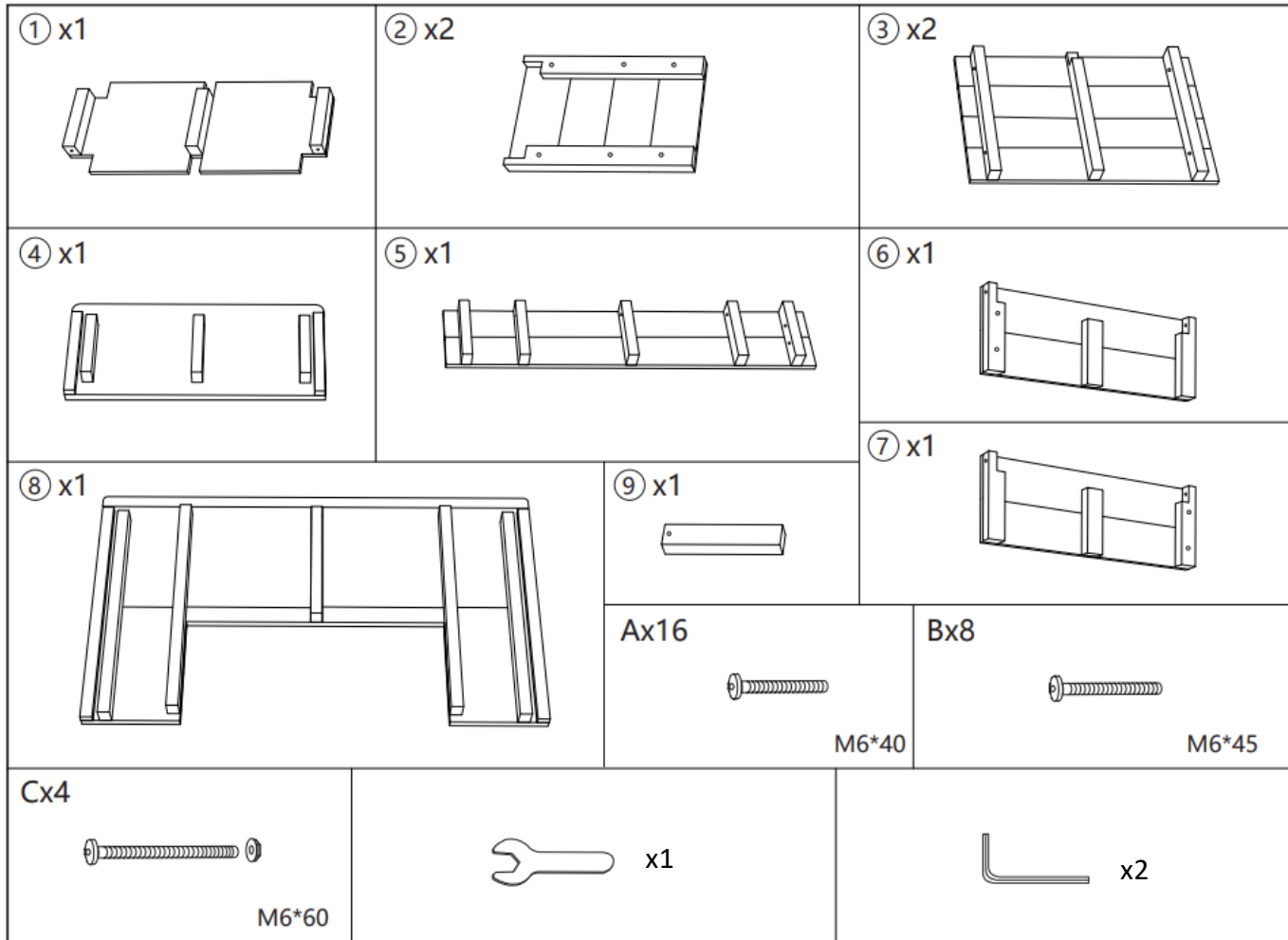


PLATFORM HOT TUB STEP ASSEMBLY INSTRUCTIONS

👉 Before you start, lay all the parts (1 to 9) below on a flat, carpeted surface for ease of reference and to avoid scratching the pieces (and your floor!)

👉 In the unlikely event that there are any missing pieces, **(WE ARE SUPER SORRY)**, please get in touch with us at denkoe.com/contact and we will make it right!

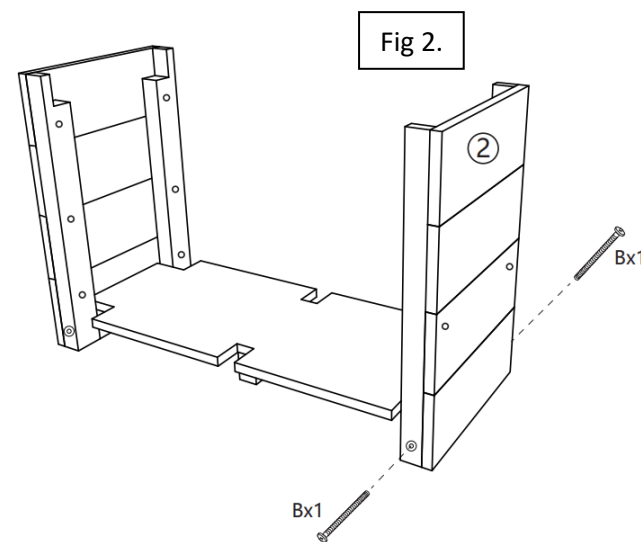
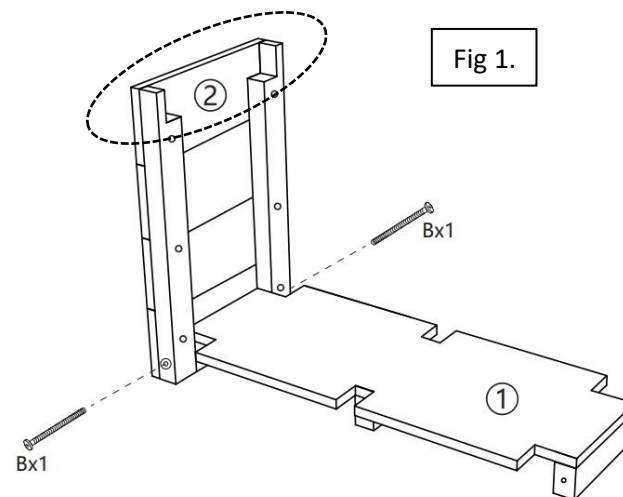


PLATFORM HOT TUB STEP ASSEMBLY INSTRUCTIONS

Step 1: Installing the side walls of the storage box

- (1) Lay **part 1** flat on the ground (See Fig 1.)
- (2) Hold **part 2** upright and push into **part 1**
- (3) Secure **part 1** to **part 2** by using the bolt labeled 'B' on each side of the panel
- (4) Repeat 1-3 to secure the other side (see Fig 2.)

⚠ Please ensure that the notched side of part 2 (as circled in dotted lines) is facing upward and that the flat side makes contact with the ground.

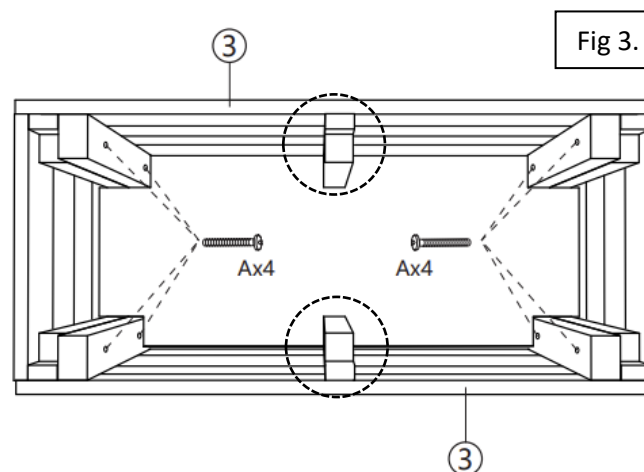


PLATFORM HOT TUB STEP ASSEMBLY INSTRUCTIONS

Step 2: Installing the front and back walls of the storage box

- (1) Push **part 3** into the side walls
- (2) Secure **part 3** to the side walls by using two bolts labelled 'A' on each side (See Fig 3.)
- (3) Repeat 1-2 to secure the other side (See Fig 3.)

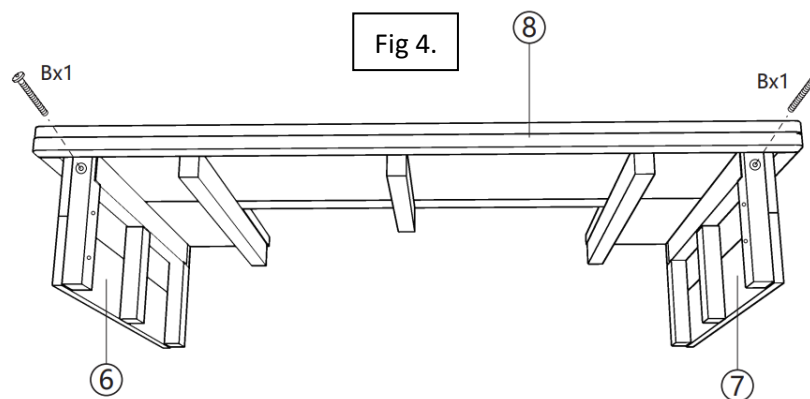
👉 Please ensure that the notched side of part 3 (as circled in dotted lines) is facing upward and that the flat side makes contact with the ground.



Step 3: Installing the bottom platform

- (1) Push **part 6** into **part 8**
- (2) Secure **part 6** to **part 8** by using the bolt labeled 'B' (See Fig 4.)
- (3) Repeat this step for the other side (See Fig 4.)

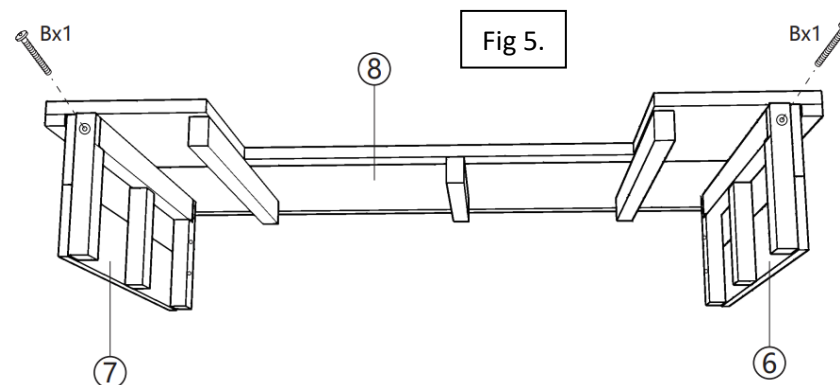
👉 It might help to flip part 8 on its back so that it is easier to install from underneath.



PLATFORM HOT TUB STEP ASSEMBLY INSTRUCTIONS

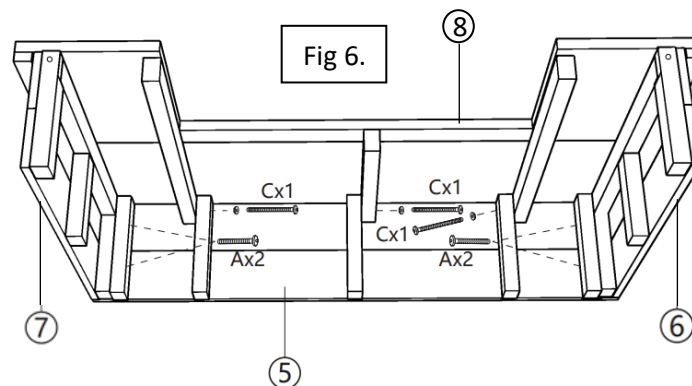
Step 4: Installing the bottom platform (continued)

- (1) Turn the unit around so that you are now facing the rear of it
- (2) Secure **part 7** to **part 8** by using the bolt labeled 'B' (See Fig 5.)
- (3) Repeat this step for **part 6** (See Fig 5.)



Step 5: Securing the front kick panel to the sides

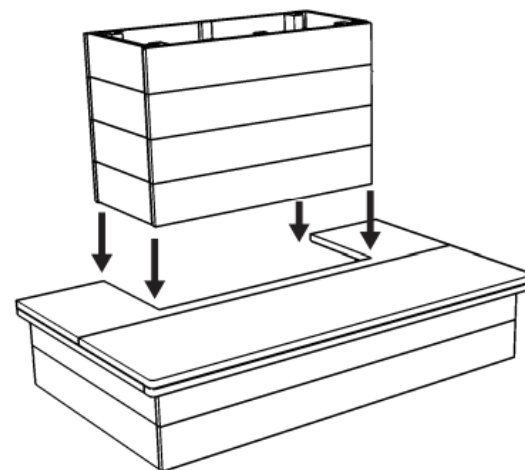
- (1) Push **part 5** into position
- (2) Secure **part 5** to **parts 6 and 7** by using two of the bolts labeled 'A' on each side (See Fig 6.)
- (3) Secure **part 5** to **part 8** by using three of the bolts labeled 'C'. One on the left, one in the middle, and one on the right (See Fig 6.)



PLATFORM HOT TUB STEP ASSEMBLY INSTRUCTIONS

Step 6: Connecting the storage box to the bottom step

(1) Slide the storage box into the bottom step

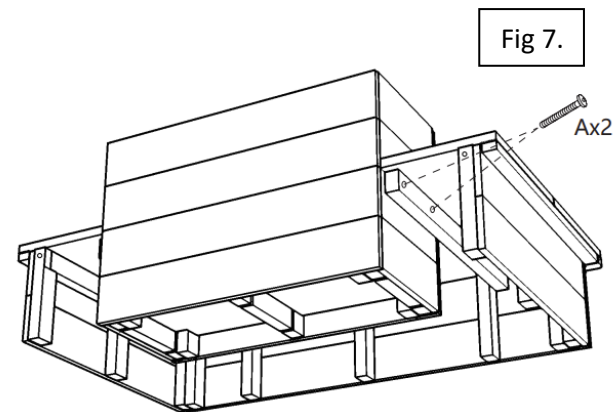


Step 7: Connecting the storage box to the bottom step (continued)

(1) Secure the bottom step to the storage box by screwing two bolts labeled 'A' to the side of the unit (See Fig 7.)

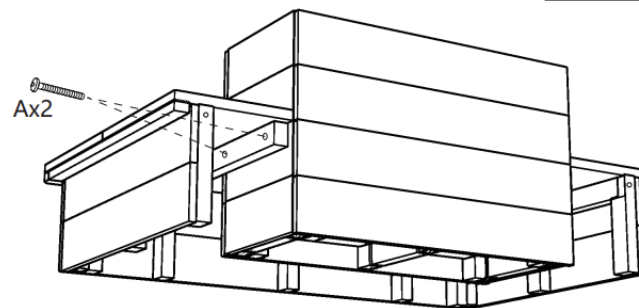
(2) Repeat this step to secure the other side too (See Fig 8. over the page)

👉 To ensure that holes align well, it is recommended to have the step upright so that the bottom of the storage box is touching the ground.



PLATFORM HOT TUB STEP ASSEMBLY INSTRUCTIONS

Fig 8.

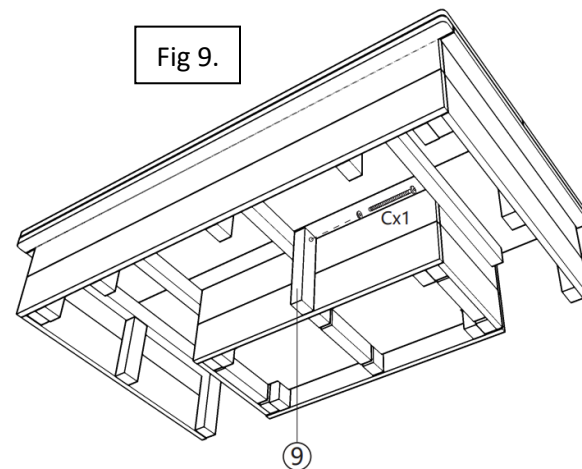


Step 8: Providing extra support

(1) Attach **part 9** to the center of the storage box by using a bolt labeled 'C' (See Fig 9.)

👉 To ensure you have visibility under the unit during install, it is recommended to flip the step on its side.

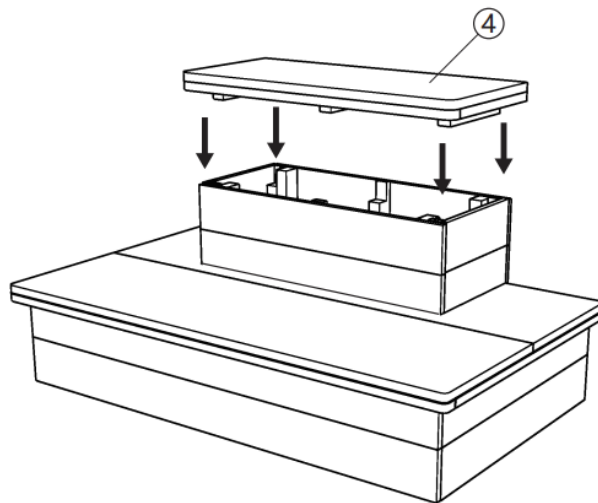
Fig 9.



PLATFORM HOT TUB STEP ASSEMBLY INSTRUCTIONS

Step 9: Placing the lid on the storage box

(1) Place **part 4** onto the storage box



Step 10: Finishing up

(1) Please go through and tighten bolts and nuts as required

Congratulations, your platform hot tub step is now ready to use!

We would love to hear what you think about your new step. If you would like to leave a review, please visit [Amazon.com/ryp](https://www.amazon.com/ryp)
Reviews really help our business and future buyers make the right choice.
We would forever be grateful for your time.

